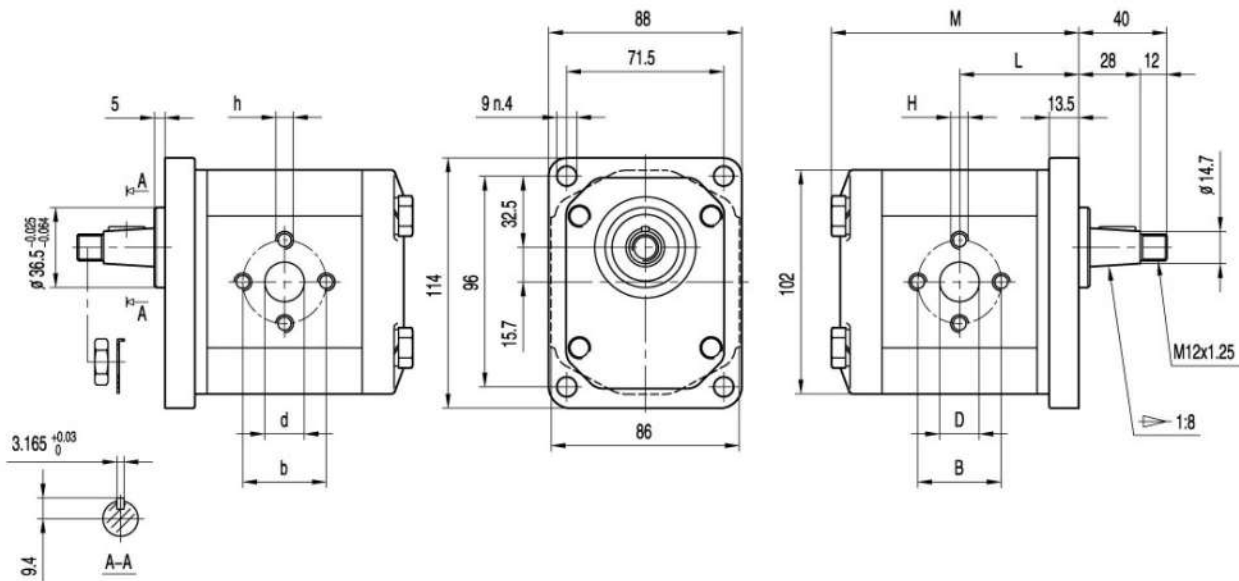




TECHNICAL DATA

Product	Displacement (cm ³)	Max. Pressure (bar)			Speed (r/min)	
		P1	P2	P3	Max	Min
2C4	4	270	285	300	4000	600
2C6	6	270	285	300	4000	600
2C8	8	270	285	300	3500	500
2C10	10	270	285	300	3000	500
2C12	12	270	285	300	3000	500
2C14	14	250	265	280	4000	500
2C16	16	250	265	280	4000	500
2C18	18	250	265	280	3600	400
2C20	20	220	235	250	3200	400
2C23	23	220	235	250	3000	400
2C25	25	200	215	230	3000	400
2C28	28	180	190	200	2500	400
2C30	30	160	170	180	2500	400



Product	Dimensions							
	M (mm)	L (mm)	B (mm)	D (mm)	H	b (mm)	d (mm)	h
2C4	92.7	44.4	30	13	M6	30	13	M6
2C6	96	46	30	13	M6	30	13	M6
2C8	99.3	47.7	30	13	M6	30	13	M6
2C10	102.6	49.3	40	20	M6	30	13	M6
2C12	105.9	51	40	20	M8	30	13	M6
2C14	109.3	52.7	40	20	M8	30	13	M6
2C16	112.7	54.4	40	20	M8	30	13	M6
2C18	116	56	40	20	M8	30	13	M6
2C20	119.3	57.7	40	20	M8	30	13	M6
2C23	122.6	59.3	40	20	M8	30	13	M6
2C25	127.6	61.8	40	22	M8	30	13	M6
2C28	132.6	64.3	40	22	M8	30	13	M6
2C30	135.9	66	40	22	M8	40	19	M8



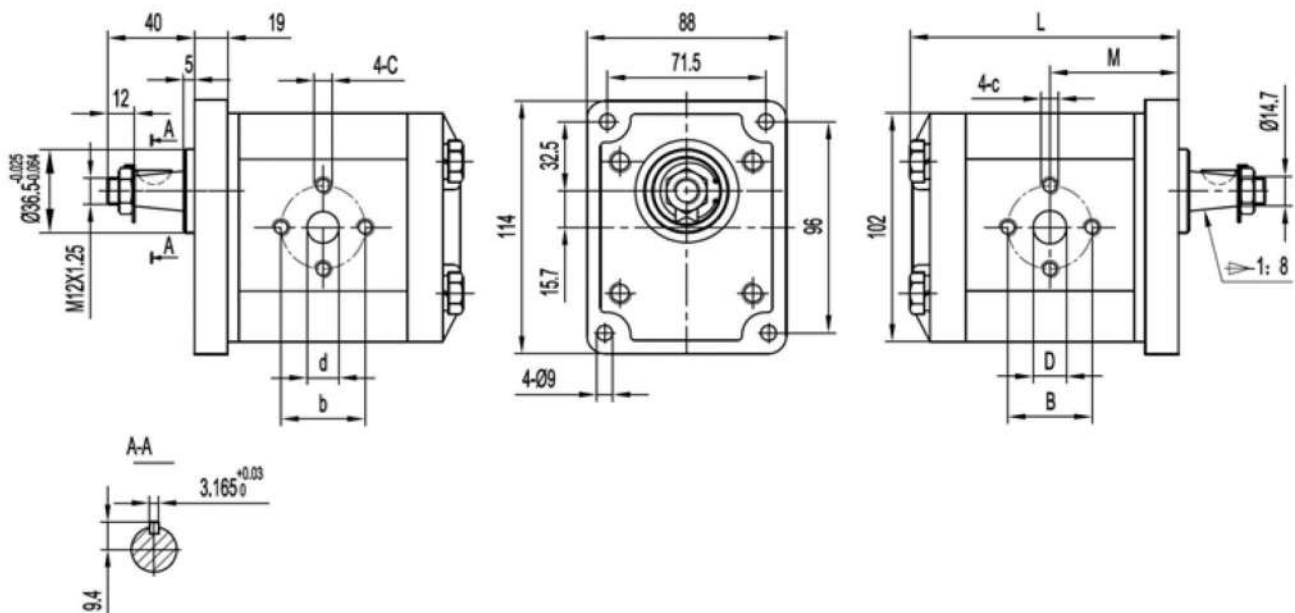
Use axial gap automatic compensation mechanism.

High sustained working pressure and long service life.

Anti fouling ability is strong and suitable for tractors, power units, machines and other kinds of hydraulics systems.

OUTLET

INLET



Type	Displacement (cm ³ /rev)	Max. pressure			Max. speed (r/min)	Min. speed (r/min)	Dimensions							
		P1 bar	P2 bar	P3 bar			M	L	B	D	b	d	C	c
KTP2C6	6	270	285	300	4000	600	46	96	30	13	30	13	M6	M6
KTP2C8	8	270	285	300	3500	500	47.7	99.3	30	13	30	13	M6	M6
KTP2C12	12	270	285	300	3000	500	51	105.9	40	20	30	13	M8	M6
KTP2C14	14	250	265	280	3000	500	52.7	109.3	40	20	30	13	M8	M6
KTP2C16	16	250	265	280	3000	500	54.4	112.7	40	20	30	13	M8	M6
KTP2C18	18	250	265	280	3000	500	56	116	40	20	30	13	M8	M6
KTP2C20	20	220	235	250	3000	400	57.7	119.3	40	20	30	13	M8	M6
KTP2C22	22	220	235	250	3000	400	59.3	122.6	40	20	30	13	M8	M6
KTP2C25	25	200	215	230	3000	400	61.8	127.6	40	22	30	13	M8	M6
KTP2C30	30	160	170	180	3000	400	66	135.9	40	22	30	13	M8	M6